

# Kitchen Exhaust Systems



Plate Mounted Heat Recovery Type Kitchen Exhaust Systems

Metallic Filtered-Electrostatic Filtered and Active Carbon Filtered Kitchen Exhaust Systems

VENTAS Isıtma, Soğutma, Enerji Sistemleri, İnşaat Sanayi ve Ticaret Anonim Şirketi; has been established in 2011 for production, consulting, project preparation and equipment supply in heating, cooling, air-conditioning and energy efficiency areas. VENTAS, which is established on top of twenty years of know-how and experience of its founders in the aforementioned sectors, is serving at its İstanbul Hadimkoy and Catalca production centres.

The product portfolio of HVAC market's new brand VENTAS includes hygienic air handling units, comfort air handling units, high-efficiency heat-recovery ventilation units, fan coil units, exhaust fans with cabinet, supply fans with cabinet, duct type fans, roof type fans, fire smoke removal fans, trench heaters, roof top package air conditioning systems (water cooled, air cooled, gas-fired, heat recovery etc.) units.

Having ISO 9001, CE, TSEK, GOST-R and EN 1886 certificates and benefiting all advantages of modern high technology, in VENTAS production centres, high quality and durable products are manufactured by a dynamic and experienced expert team with a meticulous and neat workmanship, and a solution oriented approach.

VENTAS brand's main principles are to serve its customers as a high quality solution partner and to provide excellent service with a dynamic structure both in pre-sales and after-sales.

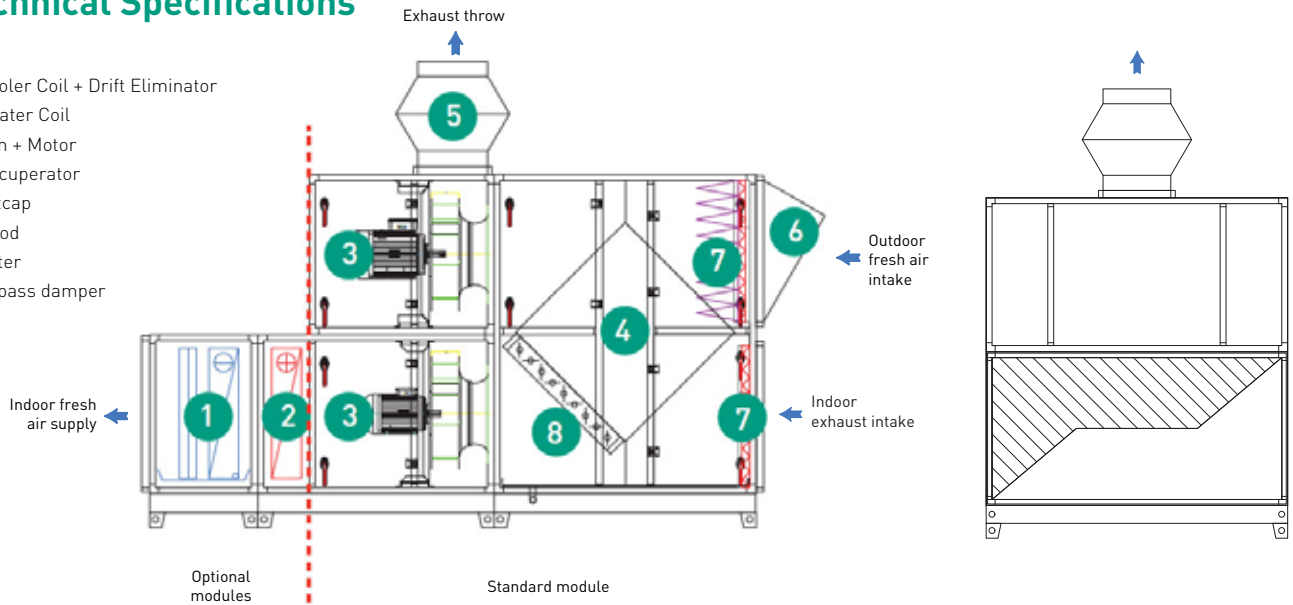
Having reached a fast and continuous growth track since it has been established, VENTAS has managed to become a well-known company in heating, cooling, air-conditioning and energy efficiency sectors throughout the country. Moreover, the Turkish brand VENTAS has penetrated its excellent and high quality products into international markets in a very short time frame, and offered a complete product supply chain to these markets through its wide dealer and service structure.

Paying the utmost attention in its products to energy efficiency, endurance, reliability, sustainable technology and competitive price policy, VENTAS offers to be the corporate solution partner of all investors and mechanical construction companies in Turkey and all over the world, and shares its dynamic vision, renewed and developed continuously, with all its customers.



## Technical Specifications

- ① Cooler Coil + Drift Eliminator
- ② Heater Coil
- ③ Fan + Motor
- ④ Recuperator
- ⑤ Jetcap
- ⑥ Hood
- ⑦ Filter
- ⑧ Bypass damper

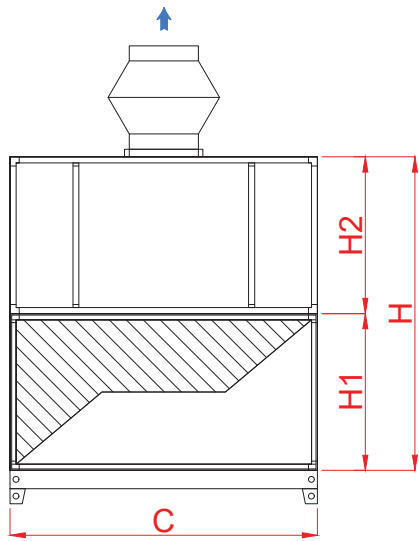
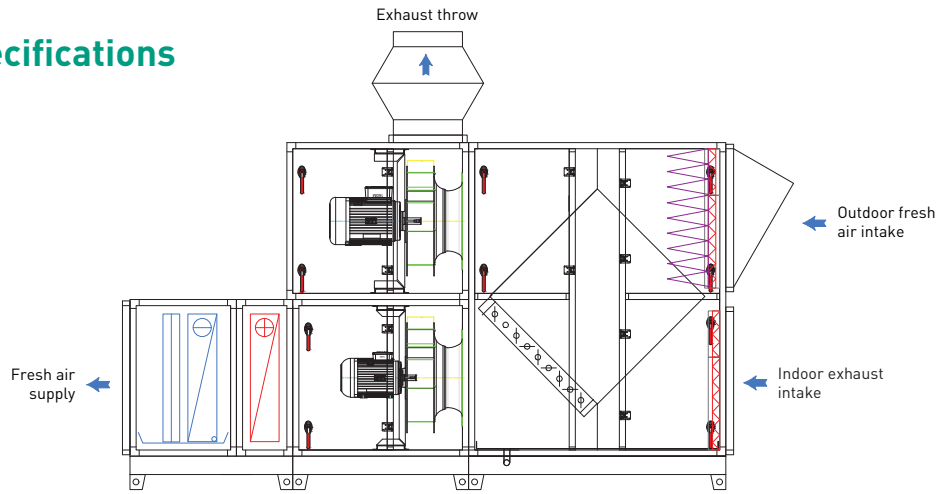


		MES Models							
		MES2500	MES5000	MES7900	MES10000	MES13200	MES15000	MES21250	MES25000
Exhaust air volume	m <sup>3</sup> /h	2500	5000	7900	10000	13200	15000	21250	25000
Exhaust fan motor power	kW	1,1	2,2	4	5,5	7,5	2x4	11	15
Exhaust side external pressure	Pa	305	305	305	305	305	305	305	305
Fresh air volume	m <sup>3</sup> /h	2000	4000	6300	8000	10500	12000	17000	20000
Fresh air fan motor power	kW	1,1	1,5	3	5,5	7,5	7,5	7,5	11
Fresh air side external pressure	Pa	270	270	270	270	270	270	270	270
Fresh air rate	%	Works with 100% fresh air in all seasons. Works through by-pass in summer mode.							
Frequency Converter	kW	YES	YES	YES	YES	YES	YES	YES	YES
By-Pass Damper	-	YES	YES	YES	YES	YES	YES	YES	YES
Heat Recovery	-	PLATE	PLATE	PLATE	PLATE	PLATE	PLATE	PLATE	PLATE
Optional Heater Coil	kW	17,5	35	53	72	90	104	155	174
Optional Heater Coil	kW	14	28	42	56	70	84	105	140
Hot Water Operating Temperatures	C	90/70	90/70	90/70	90/70	90/70	90/70	90/70	90/70
Unite Weight	kg	380	430	600	745	820	880	1150	1250
Supply cable	mm TTR	5x2,5	5x2,5	5x2,5	5x4	5x4	5x4	5x4	5x10

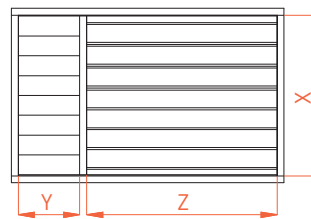


# Kitchen Exhaust Systems

## Technical Specifications



Bypass damper dimensions



Unit Model	A	B	L	C	H1	H2	H	X	Y	Z	D (Optional)	E (Optional)	Intake Passage Dimension	Throw Passage Dimension
MES2500	1195	865	2060	865	700	700	1400	210	70	540	700	370	310x785	290x785
MES5000	1195	1030	2225	1030	800	800	1600	310	175	600	700	370	610x950	290x950
MES7900	1195	1360	2555	1195	800	800	1600	510	180	760	700	370	610x950	290x950
MES10000	1195	1360	2555	1360	800	800	1600	510	180	760	700	370	610x1115	340x1115
MES13200	1195	1525	2720	1690	800	800	1600	710	310	960	700	370	610x1280	340x1280
MES15000	1195	1525	2720	1690	800	800	1600	710	310	960	700	370	610x1280	340x1280
MES21250	1525	1690	3215	2020	1030	1030	2060	710	310	960	700	370	900x1280	340x1280
MES25000	1525	1690	3215	2350	1030	1030	2060	910	375	1060	700	370	900x1280	340x1280

\* All dimensions are in mm.

## Metallic Filtered-Electrostatic Filtered and Active Carbon Filtered Kitchen Exhaust Systems

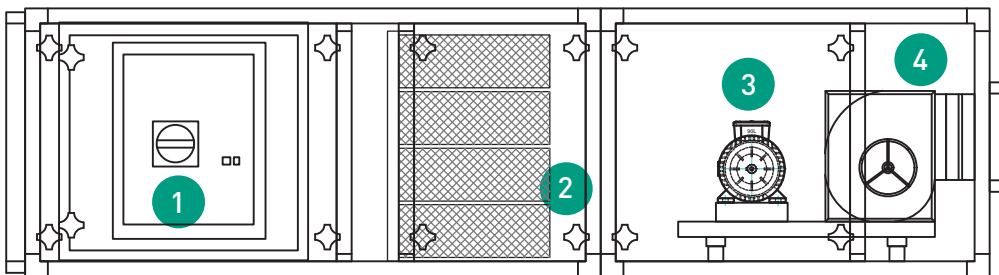
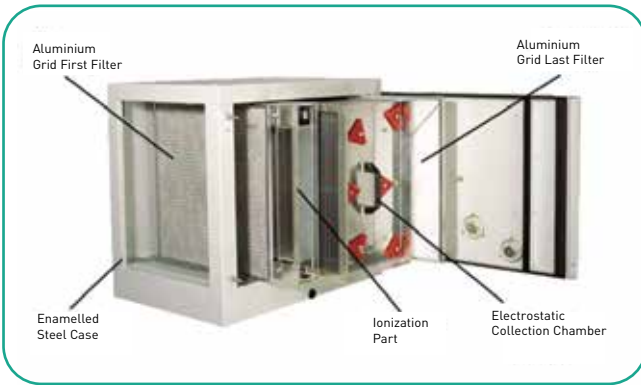
Electrostatic filters cleanse dirty, stinking and oily air emitted by the businesses by eliminating particles like smell, gas black, smoke, oil and dust in the air by using electrostatic acceleration principle.

In electrostatic acceleration method, air is sucked in by a fan and put into a washable pre-filter, thus cleansed of big particles (optional).

0.3 micron (1 micron = 1/1,000 mm) sized particles pass through a very strong electrical power field (where they are ionized). Here, particles are loaded with positive charge.

These particles, loaded with positive charge, pass through an equally spaced, parallel sequenced surfaces. These surfaces are loaded with negative and positive charges respectively. While the ones loaded with positive charges push these particles away, ones loaded with negative charges pull and gather them.

Particles sticking onto the filter are cleaned and filter is reassembled when appropriate. Drainages are connected to the oil valves on the device, accumulating oil is discharged through these valves (optional).

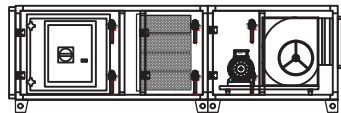


- 1 Electrostatic filter
- 2 Active carbon filter cartridge
- 3 Motor
- 4 Fan

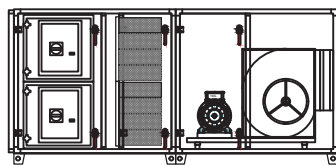
### Notes

- Wide range of capacity from 2500 m<sup>3</sup>/h to 30000 m<sup>3</sup>/h air volume,
- Ability to receive resistance from 300 Pa external static pressure to 1000 Pa external static pressure values,
- High efficiency odour suppression ability,
- Easy to clean and maintain filters,
- Sensitive volume control ability with backward curved plug fan technology (optional),
- Easy cleaning ability with backward curved plug fan or vee belt radial fans,
- Sensitive capacity control with frequency inverter through the automation panel,
- Advantage of ability to install filters and fan cells on different places with its modular structure,
- Availability for both indoor and outdoor uses,
- Ability to provide effective and easy solutions in industrial kitchens.

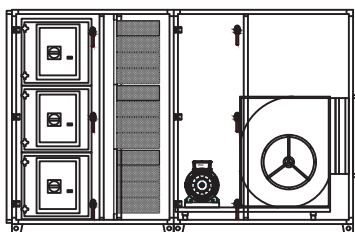
# Kitchen Exhaust Systems



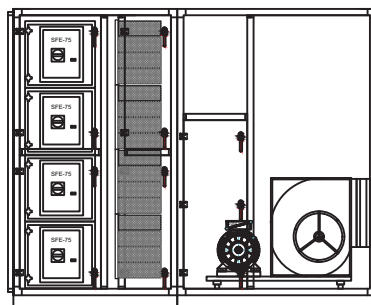
COMBO-VENTO 25/35  
COMBO-VENTO 50/52  
COMBO-VENTO 50/70  
COMBO-VENTO 75/87



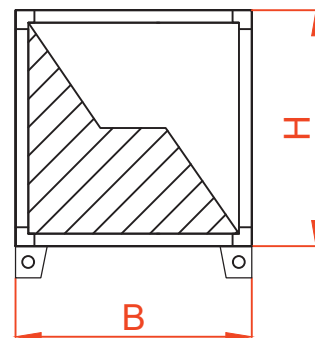
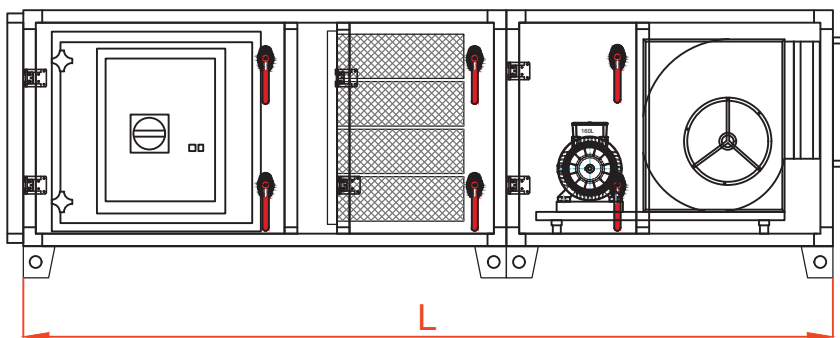
COMBO-VENTO 2x50/105  
COMBO-VENTO 2x75/140



COMBO-VENTO 3x75/26



COMBO-VENTO 4x75/35



Unit Model	Air Flow (m <sup>3</sup> /h)	Static Pressure (Pa)	Motor Power (kW)	Electrostatic Filter	Carbon Filter Number	Dimensions (mm)		
						Height (H)	Breadth (B)	Length (L)
COMBO-VENTO 25/35	2500	300	2.2	SFE 25 X 1	1 Full	745	745	2555
COMBO-VENTO 50/52	5000	300	4.0	SFE 50 X 1	1 Full, 1 Full	745	1200	2720
COMBO-VENTO 50/52	5000	400	4.0	SFE 50 X 1	1 Full, 1 Full	1030	1200	2720
COMBO-VENTO 50/70	5000	300	4.0	SFE 50 X 1	1 Full, 2 Semi	745	1310	2720
COMBO-VENTO 75/87	7500	300	5.5	SFE 75 X 1	2 Full, 1 Semi	850	1690	2885
COMBO-VENTO 2x50/105	10000	300	5.5	SFE 50 X 2	2 Full, 2 Semi	1360	1200	2885
COMBO-VENTO 2x75/140	15000	300	11.0	SFE 75 X 2	4 Full	1360	1690	3050
COMBO-VENTO 3x75/26	22500	300	11.0	SFE 75 X 3	6 Full, 3 Semi	2020	1690	3215
COMBO-VENTO 3x75/26	22500	900	15.0	SFE 75 X 3	6 Full, 3 Semi	2020	1690	3215
COMBO-VENTO 4x75/35	30000	300	22.0	SFE 75 X 4	8 Full, 4 Semi	2700	1710	3420

\* External pressure values can be changed based on customer requests.



## Ventas Isıtma, Soğutma, Enerji Sistemleri, İnşaat San. ve Tic. A.Ş.

### Ventas Headquarters

Ortaklar Cd. Denizhan Sk. Lale Han No:7 Kat:2  
Mecidiyeköy Şişli, İstanbul, Turkey  
T: +90 212 216 05 16 • F: +90 212 216 05 14

### Ventas Hadımköy Facility

Alkop Alüminyumcular Sanayi Sitesi C1 Blok  
No:1-2-3-4-5, 34500 Esenyurt, İstanbul, Turkey  
T: +90 212 858 12 82 • F: +90 212 858 12 79

### Ventas Catalca Facility

Çakıl Mh. Elbasan Cd. No: 126/A 34540  
Çatalca, İstanbul, Turkey  
T: +90 212 858 12 82 • F: +90 212 858 12 79

**Ankara Regional Office:** Aziziye Mahallesi Kırkpınar Sokak No: 10/5 Çankaya, Ankara, Turkey • T: 0312 439 59 50 • F: 0312 439 59 50

**Bursa Regional Office:** Alaaddinbey Mh. Pazar Cd. No:27 A/C Nilüfer, Bursa, Turkey • T: +90 224 441 03 66 • F: +90 224 441 03 67

**Diyarbakır Regional Office:** Kayapınar Mah. Gap Bulvarı Peyas 1 Sok. No:1 A Blok Kayapınar, Diyarbakır, Turkey • T: +90 412 251 51 45 • F: +90 412 251 51 45

**Konya Regional Office:** Fevzi Çakmak Mahallesi 10670 Sokak 27/B Karatay, Konya, Turkey • T: +90 332 236 22 64 • F: +90 332 236 73 56

[www.ventas.com.tr](http://www.ventas.com.tr)