

Rectangular and Square Duct Type Fans

Duct Type Fans **AC/EC**
Cabinet Type Fans **AC/EC**
Kitchen Hood Fume Fans **AC**



VENTAS Isıtma, Soğutma, Enerji Sistemleri, İnşaat Sanayi ve Ticaret Anonim Şirketi; has been established in 2011 for production, consulting, project preparation and equipment supply in heating, cooling, air-conditioning and energy efficiency areas. VENTAS, which is established on top of twenty years of know-how and experience of its founders in the aforementioned sectors, is serving at its İstanbul Hadimkoy and Catalca production centres.

The product portfolio of HVAC market's new brand VENTAS includes hygienic air handling units, comfort air handling units, high-efficiency heat-recovery ventilation units, fan coil units, exhaust fans with cabinet, supply fans with cabinet, duct type fans, roof type fans, fire smoke removal fans, trench heaters, roof top package air conditioning systems (water cooled, air cooled, gas-fired, heat recovery etc.) units.

Having ISO 9001, CE, TSEK, GOST-R and EN 1886 certificates and benefiting all advantages of modern high technology, in VENTAS production centres, high quality and durable products are manufactured by a dynamic and experienced expert team with a meticulous and neat workmanship, and a solution oriented approach.

VENTAS brand's main principles are to serve its customers as a high quality solution partner and to provide excellent service with a dynamic structure both in pre-sales and after-sales.

Having reached a fast and continuous growth track since it has been established, VENTAS has managed to become a well-known company in heating, cooling, air-conditioning and energy efficiency sectors throughout the country. Moreover, the Turkish brand VENTAS has penetrated its excellent and high quality products into international markets in a very short time frame, and offered a complete product supply chain to these markets through its wide dealer and service structure.

Paying the utmost attention in its products to energy efficiency, endurance, reliability, sustainable technology and competitive price policy, VENTAS offers to be the corporate solution partner of all investors and mechanical construction companies in Turkey and all over the world, and shares its dynamic vision, renewed and developed continuously, with all its customers.



VENTAS rectangular and square duct type fans are used in applications of high efficiency engineering solutions as exhaust aspirators, fresh air ventilators and kitchen hood fume aspirators. With its special design and ergonomically structured units, quick and easy application solutions can be offered. Furthermore, It offers a wide application field and convenience with AC and EC motor options and its own automation solutions for these motor alternatives.

VEB-KT Duct Type Fans

- High efficiency operation with plug-fan technology
- AC/EC motor options
- Specially sound and heat insulated body
- Availability to be installed in all degrees
- Suitability for speed control
- Service maintenance damper is included
- Availability to be used with optional accessories (Duct type water coil, duct type electrical heater, filters with various classes G4-F5-F7 etc.)
- Wide Capacity Range
- Automation Solutions

VEB-Cabinet Type Duct Fans

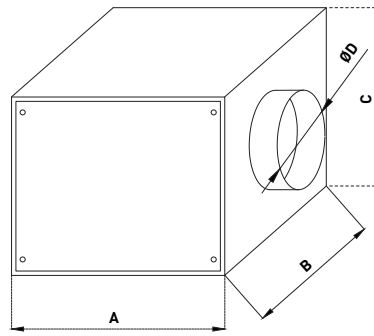
- High efficiency operation with plug-fan technology
- AC/EC motor options
- Specially sound and heat insulated body
- Modular system
- Thermic contact tip suitable for external connection
- Ability to use with different filtering classes
- Flexible connection side with relocatable panels
- Ability to install in all degrees
- Suitability for speed control
- Availability to be used with optional accessories (Duct type water coil, duct type electrical heater, filters with various classes G4-F5-F7 etc.)
- Wide Capacity Range
- Automation Solutions

VEB-K Kitchen Hood Fume Exhaust Aspirators

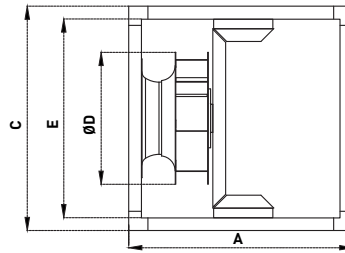
- High efficiency operation with plug-fan technology
- Specially sound and heat insulated body
- Modular system
- Thermic contact tip suitable for external connection
- G2 Metallic filtering ability
- Flexible connection side with relocatable panels
- Ability to install in all degrees
- Suitability for speed control
- Special design keeping motor out of the air stream
- Wide Capacity Range
- Automation Solutions

Rectangular and Square Fans

VEB-KT Duct Type Fans



VEB-KT-05-08-11-15-21



VEB-KT-31-41

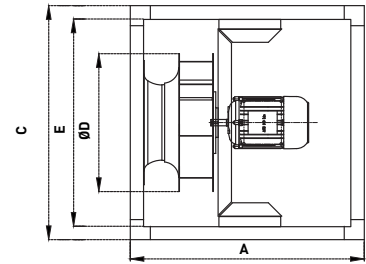
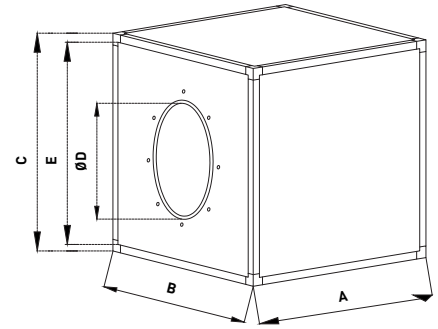
VEB-KT Duct Type Fans AC				VEB-KT-05	VEB-KT-08	VEB-KT-11	VEB-KT-15	VEB-KT-21	VEB-KT-31	VEB-KT-41
AIR FLOW m ³ /hours	EXTERNAL STATIC PRESSURE	0	Pa	930	1180	1450	2062	2500	4200	5700
		100	Pa	840	1050	1330	1850	2300	3600	5200
		200	Pa	680	920	1200	1650	2100	3150	4500
		300	Pa	450	780	1100	1400	1900	2400	3750
FAN DIAMETER		mm	Ø 220	Ø 225	Ø 250	Ø 280	Ø 280	Ø 400	Ø 450	
MOTOR POWER		kW	0.090	0.130	0.165	0.225	0.420	0.480	0.740	
ROTATION		r/min	2600	2660	2670	2700	2720	1370	1250	
CURRENT		Amps	0.40	0.57	0.73	1.00	1.83	2.40	6.00	
POWER SUPPLY (230 V / 380 V)		2ph/3ph	Monophase	Monophase	Monophase	Monophase	Monophase	Monophase	Monophase	Monophase

VEB-KT Unit Measures										
LENGTH	A	mm	335	335	400	490	490	700	700	
WIDTH	B	mm	335	335	400	490	490	700	700	
HEIGHT	C	mm	310	310	340	410	410	700	700	
INTAKE DIAMETER	ØD	mm	Ø 200	Ø 200	Ø 200	Ø 300	Ø 300	Ø 400	Ø 450	
INTERIOR PROFILE MEASURE	E	mm	-	-	-	-	-	620	620	

VEB-KT Duct Type Fans EC				VEB-KT-05	VEB-KT-08	VEB-KT-11	VEB-KT-15	VEB-KT-21	VEB-KT-25	VEB-KT-31	VEB-KT-41
AIR FLOW m ³ /hours	EXTERNAL STATIC PRESSURE	0	Pa	1015	1300	1430	2335	3070	3250	3680	5770
		100	Pa	880	1210	1330	2050	2910	3050	3500	5130
		200	Pa	730	1105	1215	1630	2730	2900	3260	4460
		300	Pa	470	980	1040	1130	2500	2600	3020	3750
FAN DIAMETER		mm	Ø 220	Ø 225	Ø 250	Ø 280	Ø 280	Ø 310	Ø 310	Ø 400	
MOTOR POWER		kW	0.085	0.17	0.17	0.168	0.46	0.45	0.50	0.50	
ROTATION		r/min	2580	2860	2510	1910	2550	2180	2360	1500	
CURRENT		Amps	0.70	1.40	1.40	1.40	2.00	2.00	2.20	2.20	
POWER SUPPLY (230 V / 380 V)		2ph/3ph	Monophase	Monophase	Monophase	Monophase	Monophase	Monophase	Monophase	Monophase	Monophase

VEB-KT Unit Measures										
LENGTH	A	mm	335	335	400	490	490	490	700	700
WIDTH	B	mm	335	335	400	490	490	490	700	700
HEIGHT	C	mm	310	310	340	410	410	410	700	700
INTAKE DIAMETER	ØD	mm	Ø 200	Ø 200	Ø 200	Ø 300	Ø 300	Ø 300	Ø 400	Ø 450
INTERIOR PROFILE MEASURE	E	mm	-	-	-	-	-	-	620	620

VEB Cabinet Type Duct Fans



VEB - Cabinet Type Duct Fans AC				VEB-20	VEB-30	VEB-50	VEB-70	VEB-100	VEB-120	VEB-150	VEB-180	VEB-200	VEB-250
AIR FLOW m ³ /hours	EXTERNAL STATIC PRESSURE	0	Pa	3800	5100	7300	10000	15000	15500	21200	23100	26200	30000
		100	Pa	3550	4750	6700	9500	13500	14500	20700	22700	25500	29000
		200	Pa	3000	4300	6350	9000	13000	14000	20000	22000	25000	28000
		300	Pa	2200	3650	5700	8500	12000	13000	19000	21500	24000	27500
FAN DIAMETER		mm	Ø 355	Ø 400	Ø 450	Ø 500	Ø 560	Ø 560	Ø 630	Ø 630	Ø 710	Ø 710	
MOTOR POWER		kW	0.55	0.75	1.1	1.5	3	4	5.5	7.5	7.5	11	
ROTATION		r/min	1410	1410	1410	1385	1405	1425	1425	1430	960	1440	
CURRENT		Amps	3.3	5.4	7.6	3.5	6.5	8.2	11.3	15.3	15.2	21.5	
POWER SUPPLY (230 V / 380 V)		2ph / 3ph	Monophase	Monophase	Monophase	Triphase	Triphase	Triphase	Triphase	Triphase	Triphase	Triphase	

VEB Unit Measures												
LENGTH	A	mm	700	700	700	800	800	1000	1000	1000	1195	1195
WIDTH	B	mm	700	700	700	800	800	1000	1000	1000	1195	1195
HEIGHT	C	mm	700	700	700	800	800	1000	1000	1000	1195	1195
INTAKE DIAMETER	ØD	mm	Ø 355	Ø 400	Ø 450	Ø 500	Ø 560	Ø 630	Ø 630	Ø 630	Ø 710	Ø 710
DUCT MEASURE	E	mm	620	620	620	720	720	920	920	920	1105	1105

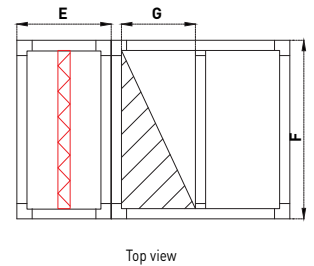
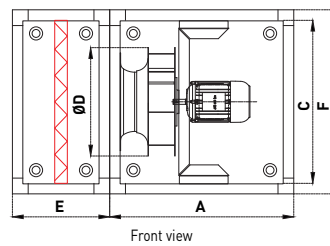
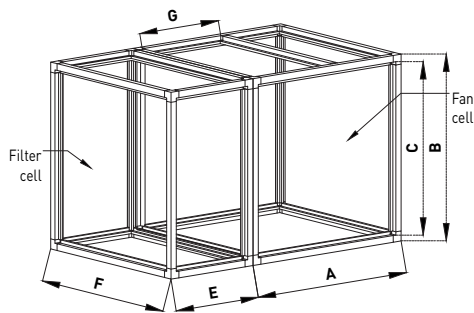
VEB - Cabinet Type Duct Fans EC				VEB-20	VEB-30	VEB-50	VEB-70	VEB-100	VEB-120	VEB-150	VEB-150D	VEB-200D	VEB-250D	VEB-300D
AIR FLOW m ³ /hours	EXTERNAL STATIC PRESSURE	0	Pa	3250	4750	7000	10500	12000	13800	17000	21000	24000	27600	34000
		100	Pa	3050	4400	6600	9500	11500	13000	16000	19000	23000	26000	32000
		200	Pa	2900	3990	6200	8800	11000	12400	15500	17600	22000	24800	31000
		300	Pa	2600	3400	6000	7800	10400	11800	14500	15600	20800	23600	29000
FAN DIAMETER		mm	Ø 310	Ø 400	Ø 355	Ø 500	Ø 500	Ø 560	Ø 630	Ø 500	Ø 500	Ø 560	Ø 630	
MOTOR POWER		kW	0.50	0.50	1.92	1.32	2.60	2.36	2.70	2.64	5.20	4.72	5.60	
ROTATION		r/min	2360	1500	2870	1350	1700	1540	1300	1350	1700	1540	1300	
CURRENT		Amps	2.20	2.20	2.90	2.10	4.00	3.65	4.15	4.20	8.00	7.30	8.30	
POWER SUPPLY (230 V / 380 V)		2ph / 3ph	Monophase	Monophase	Triphase	Triphase	Triphase	Triphase	Triphase	Triphase	Triphase	Triphase	Triphase	

VEB Unit Measures													
LENGTH	A	mm	700	700	700	800	800	1000	1000	800	800	800	1000
WIDTH	B	mm	700	700	700	800	800	1000	1000	1600	1600	1600	2000
HEIGHT	C	mm	700	700	700	800	800	1000	1000	800	800	800	1000
INTAKE DIAMETER	ØD	mm	Ø 355	Ø 400	Ø 450	Ø 500	Ø 560	Ø 630	Ø 630	Ø 500x2	Ø 560x2	Ø 560x2	Ø 630x2
DUCT MEASURE	E	mm	620	620	620	720	720	920	920	720	720	720	920

*VEB-150D/VEB-200D/VEB250D/VEB-300D have been designed as two-fan models.

Rectangular and Square Fans

VEB-K Kitchen Hood Fume Exhaust Aspirators



In VEB-K Kitchen Hood Fume Exhaust Aspirators, motor is designed to stay out of the air stream.

VEB-K Hood Fume Kitchen Exhaust Aspirators AC				VEB-K-20	VEB-K-30	VEB-K-50	VEB-K-70	VEB-K-100	VEB-K-120	VEB-K-150	VEB-K-180	VEB-K-200	VEB-K-250
AIR FLOW m ³ /hours	EXTERNAL STATIC PRESSURE	0	Pa	3600	4700	6700	9500	14500	15000	20500	23000	25700	29250
		100	Pa	3100	4200	6400	9000	13000	14000	20000	22600	24600	28250
		200	Pa	2400	3700	5800	8600	12500	13500	19000	22000	23250	28000
		300	Pa	1800	2300	5200	7650	12000	13000	18500	21400	22250	27500
FAN DIAMETER		mm	Ø 355	Ø 400	Ø 450	Ø 500	Ø 560	Ø 560	Ø 630	Ø 630	Ø 710	Ø 710	
MOTOR POWER		kW	0.55	0.75	1.10	1.50	3	4.00	5.50	7.5	7.5	11	
ROTATION		r/min	1410	1410	1410	1385	1405	1425	1425	1430	960	1440	
CURRENT		Amps	3.3	5.4	7.6	3.5	6.5	8.2	11.3	15.3	15.2	21.5	
POWER SUPPLY [230 V / 380 V]		2ph / 3ph	Monophase	Monophase	Monophase	Triphase	Triphase	Triphase	Triphase	Triphase	Triphase	Triphase	
VEB-K Unit Measures													
LENGTH	A	mm	700	700	700	800	800	1000	1000	1000	1000	1200	1200
WIDTH	F	mm	700	700	700	800	800	1000	1000	1000	1000	1200	1200
HEIGHT	B	mm	700	700	700	800	800	1000	1000	1000	1000	1200	1200
INTAKE DIAMETER	ØD	mm	Ø 355	Ø 400	Ø 450	Ø 500	Ø 560	Ø 630	Ø 630	Ø 630	Ø 630	Ø 710	Ø 710
SIDELINE-OUT DUCT MEASURE	BxG	mm	700x290	700x290	700x290	800x340	800x340	1000x340	1000x340	1000x340	1000x340	1095x435	1095x435
UPSIDE-OUT DUCT MEASURE	FxG	mm	700x290	700x290	700x290	800x340	800x340	1000x340	1000x340	1000x340	1000x340	1095x435	1095x435
G2 FILTER CELL LENGTH	E	mm	370	370	370	500	500	500	500	500	500	500	500
G2 METAL FILTER MEASURE		mm	570 x 630 x 48			670 x 730 x 48		870 x 460 x 48			2 x 545 x 1040 x 48		

Optional Accessories



Duct Type Silencers

VENTAS duct type silencers are produced in two different models: VDS model for circular duct system and VDKS model for rectangular duct system. Production of all silencers are performed according to international standards, sizes, coulisse numbers. Circular silencers are produced in standard circular duct sections, whereas rectangular duct type silencers can be produced according to the required sizes of the project. All models are suitable for fast and easy montage to the existing duct system with minimum air leakage. For sound isolation, glass wool is used as our standard production, and optionally rock wool can be used.



Duct Type Electric Heater

In accordance with duct type electric heaters 89/336/EEC directives, as per EN 55014-1, EN 61000-3-2/3-3 standards with EMC tests done. They are produced in standard circular duct section sizes as monophasic and triphasic. Duct type electric heaters have two high discharge temperature safety thermostats.



Duct Type Heater Or Cooler Hydrous Coil

Duct type hydrous coils are produced both in rectangular and circular duct sections in standard capacities, whereas different viable capacities can be produced upon request. Duct type hydrous coil units are designed as cells that can be located as an integrated module on the unit. Assembly and maintenances that can be easily applied on blow ports can be provided.



Duct Type Filter Cell

If desired, filters in different filter classes can be used in both aspiratory uses and in ventilatory uses. Filter cabins are produced as an additional cabin as the same size of unit cabins, and designed to operate conjointly directly with the unit. They can optionally be used with every model units.



Speed Switches

All of our monophasic and triphasic products include standard speed switches that provide modulating control. Upon request, for triphasic products a frequency inverter can be used as well.



Panel With Frequency Invertor

If speed control is requested when a triphasic motor is used in the products, they can optionally be delivered with a readily assembled, plug-and-play panel with frequency inverter.



VENTAS EC Motor Control Board (Standard in EC motor products.)

Specially developed by VENTAS for its own products for both achieving a stable flow rate control despite variable pressures and operating in differential pressure control uses, in EC motor products, a standard Modbus compatible EC motor control board is offered.

Ventas Isıtma, Soğutma, Enerji Sistemleri, İnşaat San. ve Tic. A.Ş.

Ventas Headquarters

Ortaklar Cd. Denizhan Sk. Lale Han No:7 Kat:2
Mecidiyeköy Şişli, İstanbul, Turkey
T: +90 212 216 05 16 • F: +90 212 216 05 14

Ventas Hadımköy Fabrika

Alkop Alüminyumcular Sanayi Sitesi C1 Blok
No:1-2-3-4-5, 34500 Esenyurt, İstanbul, Turkey
T: +90 212 858 12 82 • F: +90 212 858 12 79

Ventas Çatalca Fabrika

Çakıl Mh. Elbasan Cd. No: 126/A 34540
Çatalca, İstanbul, Turkey
T: +90 212 858 12 82 • F: +90 212 858 12 79

Ankara Regional Office: Aziziye Mahallesi Kırkpınar Sokak No: 10/5 Çankaya, Ankara, Turkey • T: 0312 439 59 50 • F: 0312 439 59 50

Bursa Regional Office: Alaaddinbey Mh. Pazar Cd. No:27 A/C Nilüfer, Bursa, Turkey • T: +90 224 441 03 66 • F: +90 224 441 03 67

Diyarbakır Regional Office: Kayapınar Mah. Gap Bulvarı Peyas 1 Sok. No:1 A Blok Kayapınar, Diyarbakır, Turkey • T: +90 412 251 51 45 • F: +90 412 251 51 45

Konya Regional Office: Fevzi Çakmak Mahallesi 10670 Sokak 27/B Karatay, Konya, Turkey • T: +90 332 236 22 64 • F: +90 332 236 73 56

www.ventas.com.tr